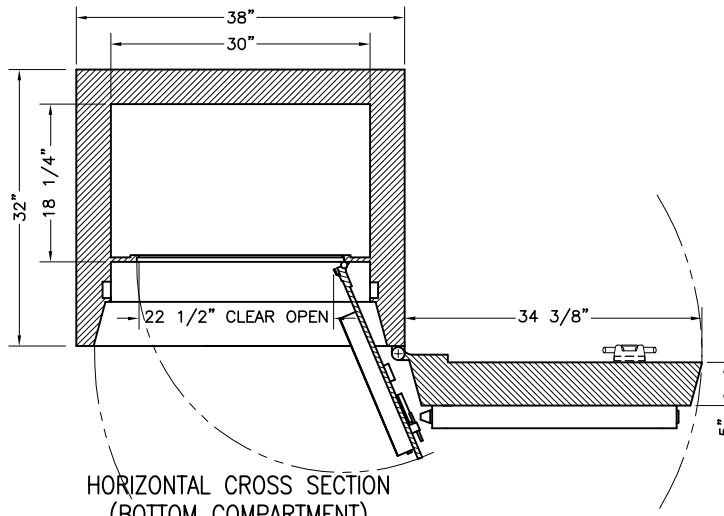
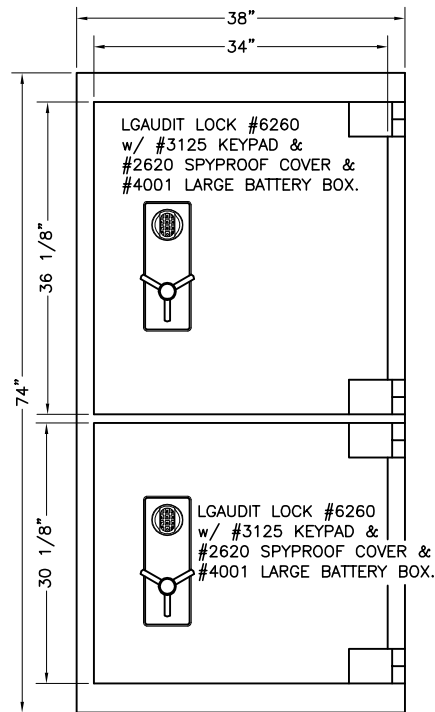


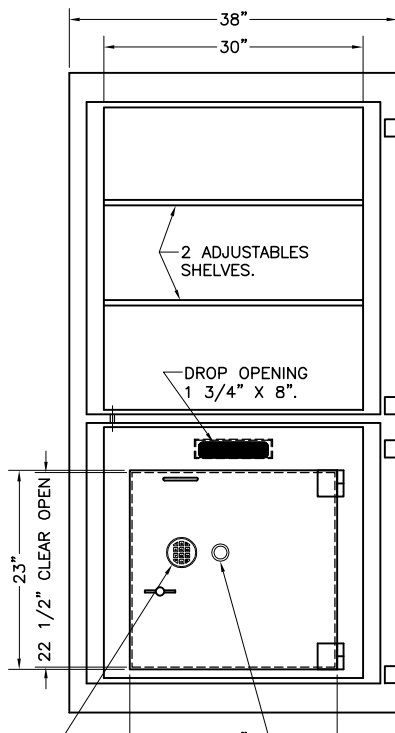
HORIZONTAL CROSS SECTION
(TOP COMPARTMENT)



HORIZONTAL CROSS SECTION
(BOTTOM COMPARTMENT)



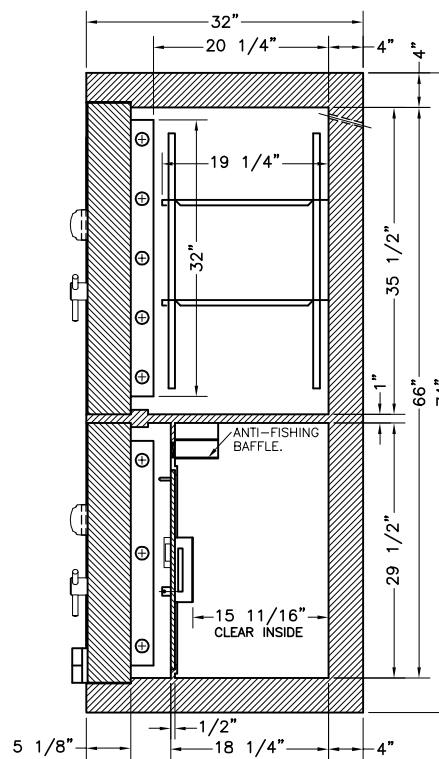
ELEVATION



LGAUDIT LOCK #6260
w/ #3125 KEYPAD &
#4001 LARGE BATTERY BOX.

#6870 HIGH SECURITY
KEYLOCK w/ 6 KEYS
65mm #6870-116.

ELEVATION
WITH MAIN DOORS OMITTED



VERTICAL CROSS SECTION

APPROX. WEIGHT: 5100 lbs.



DOUBLE DOOR
Class 4 SAFE

DRAWING NO	DRAWN BY	DATE		
PC 1149	RM	20	10	04