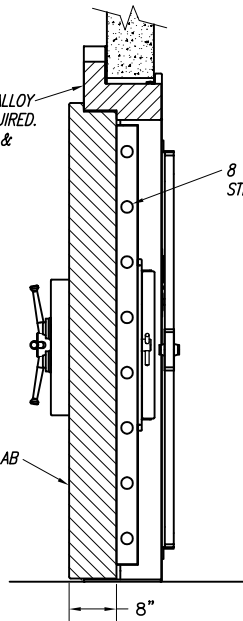


DOOR FRAME WITH ALLOY.
"NO GROUTING" REQUIRED.
(EASY INSTALLATION &
ADJUSTMENT).

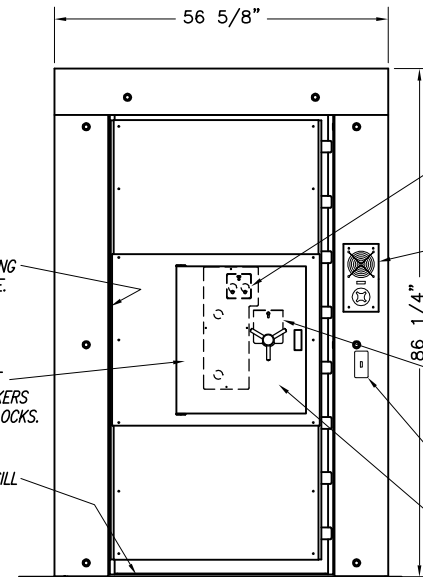


VERTICAL SECTION

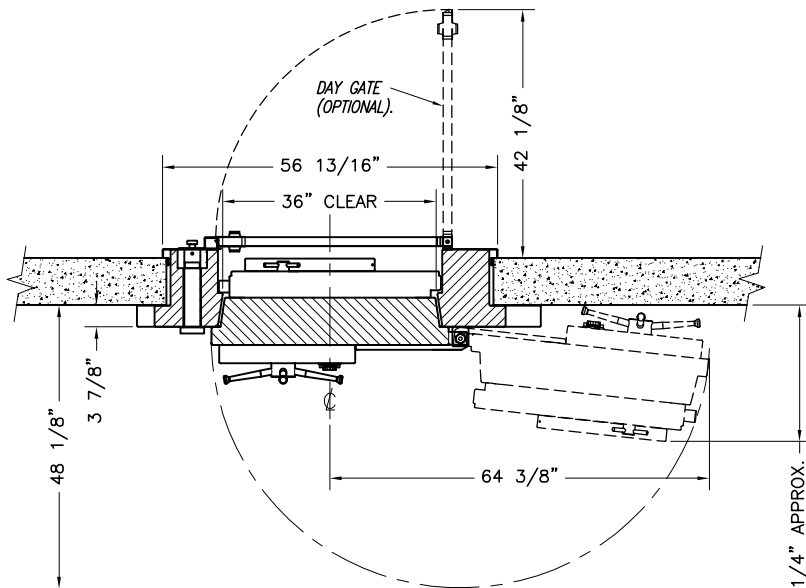
FULL HEIGHT LOCKING
BAR ON HINGE SIDE.

LARGE GLASS PLATE
PROTECTING RELOCKERS
AND COMBINATION LOCKS.

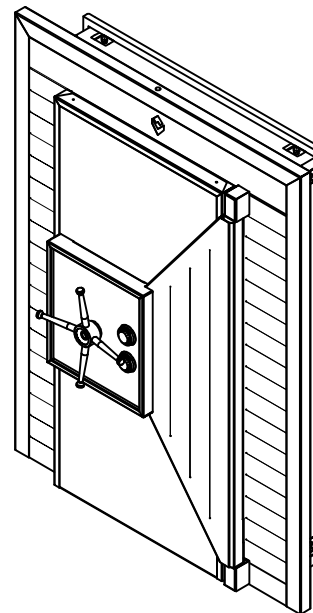
CONVENIENT FLAT SILL
WITH ANTI-SLIP.



INSIDE VIEW
DAY GATE OMITTED



HORIZONTAL SECTION
(DOOR SWING)



TOTAL APPROX. WEIGHT = 5500 lbs.



SECURIFORT
INC



Underwriters Laboratories Inc.®
Listed

FULL STAINLESS STEEL
Class 2 VAULT DOOR

DRAWING NO	DRAWN BY	DATE		
	RM	01	09	09
VD-B078036-UL2N-01				