

QUOTED SIZE	MODEL	INSIDE DIMENSIONS	DIMENSION "X"	DIMENSION "Y"	DIMENSION "Z"	WEIGHT
	MV2-6-001	8'-6" X 8'-6" X 8'	8'	9'-4"	10'-4"	54720 LBS
	MV2-6-002	8'-6" X 8'-6" X 9'	9'	10'-4"	11'-4"	58680 LBS
*	MV2-6-003	8'-6" X 8'-6" X 10'	10'	11'-4"	12'-4"	62640 LBS
	MV2-6-004	8'-6" X 8'-6" X 11'	11'	12'-4"	13'-4"	66600 LBS
	MV2-6-005	8'-6" X 8'-6" X 12'	12'	13'-4"	14'-4"	70560 LBS
	MV2-6-006	8'-6" X 8'-6" X 13'	13'	14'-4"	15'-4"	74520 LBS
	MV2-6-007	8'-6" X 8'-6" X 14'	14'	15'-4"	16'-4"	78480 LBS
	MV2-6-008	8'-6" X 8'-6" X 15'	15'	16'-4"	17'-4"	82440 LBS
	MV2-6-009	8'-6" X 8'-6" X 16'	16'	17'-4"	18'-4"	86400 LBS
	MV2-6-010	8'-6" X 8'-6" X 17'	17'	18'-4"	19'-4"	90360 LBS
	MV2-6-011	8'-6" X 8'-6" X 18'	18'	19'-4"	20'-4"	94320 LBS

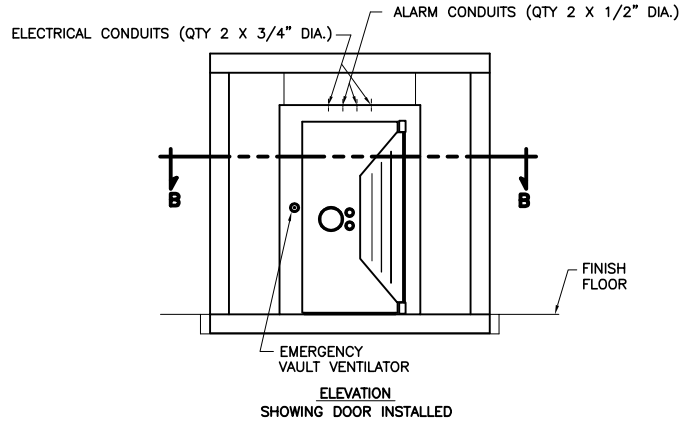
**SECURIFORT**  
INC

---

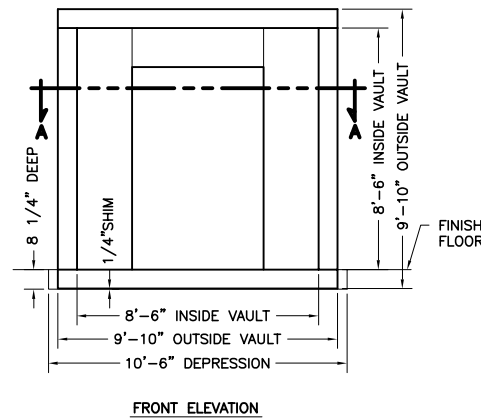
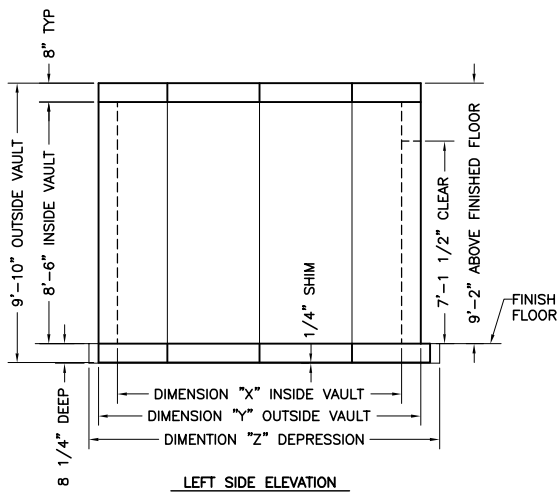
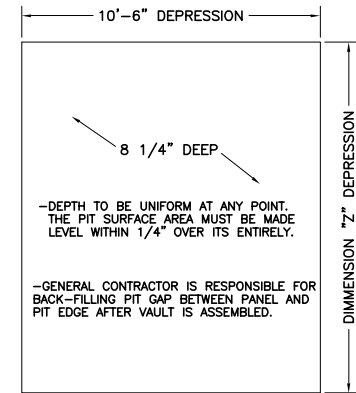
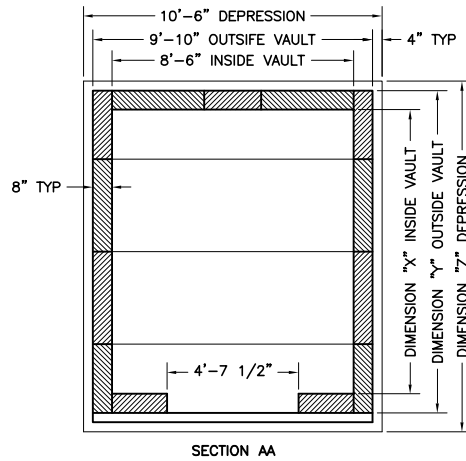
Underwriters Laboratories Inc.  
Listed

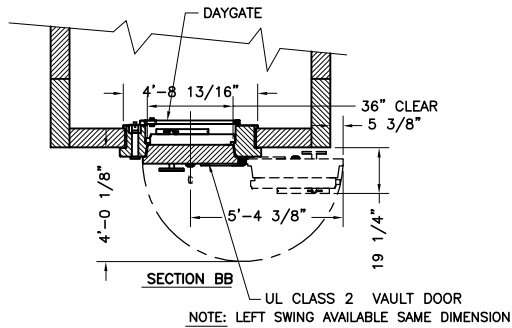
**MODULAR VAULT**  
**CLASS 2 (6 SIDED)**

DESIGN NO	DATE BY	REV
<b>MV2-6-A</b>	CV 26	10 04



**WIRING:**  
ALARM AND ELECTRICAL COMPONENTS SUPPLIED BY OTHERS, TELEPHONE AND VENTILATOR ARE ALL TO BE WIRED BY OTHERS AS REQUIRED BY GENERAL CONTRACTOR. SEE TOP BACK OF DOOR FRAME TO ACCESS FACTORY SUPPLIED COMPONENT WIRES.





\*

QUOTED SIZE	MODEL	INSIDE DIMENSIONS	DIMENSION "X"	DIMENSION "Y"	WEIGHT
	MV2-5-001	8'-6" X 8'-6" X 8'	8'	9'-4"	44455 LBS
	MV2-5-002	8'-6" X 8'-6" X 9'	9'	10'-4"	47355 LBS
	MV2-5-003	8'-6" X 8'-6" X 10'	10'	11'-4"	50255 LBS
	MV2-5-004	8'-6" X 8'-6" X 11'	11'	12'-4"	53155 LBS
	MV2-5-005	8'-6" X 8'-6" X 12'	12'	13'-4"	56055 LBS
	MV2-5-006	8'-6" X 8'-6" X 13'	13'	14'-4"	58955 LBS
	MV2-5-007	8'-6" X 8'-6" X 14'	14'	15'-4"	61855 LBS
	MV2-5-008	8'-6" X 8'-6" X 15'	15'	16'-4"	64755 LBS
	MV2-5-009	8'-6" X 8'-6" X 16'	16'	17'-4"	67655 LBS
	MV2-5-010	8'-6" X 8'-6" X 17'	17'	18'-4"	70555 LBS
	MV2-5-011	8'-6" X 8'-6" X 18'	18'	19'-4"	73455 LBS



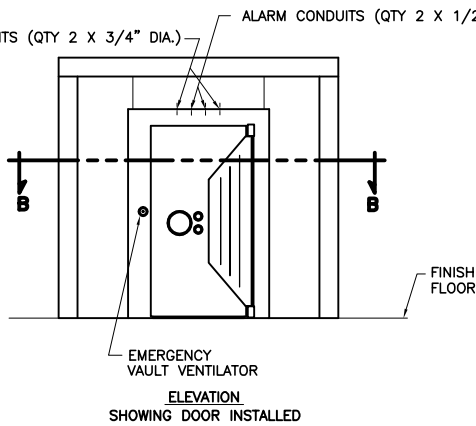
**MODULAR VAULT  
CLASS 2 (5 SIDED)**

DESIGNED BY	DATE
MV2-5-A	26 10 04
CHECKED BY	DATE
CV	26 10 04

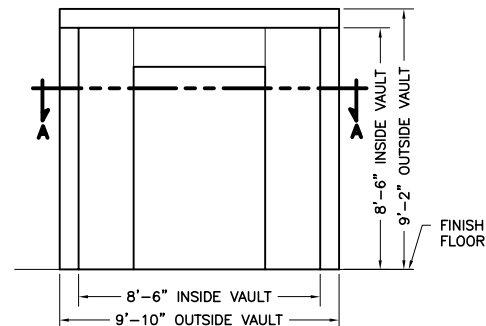
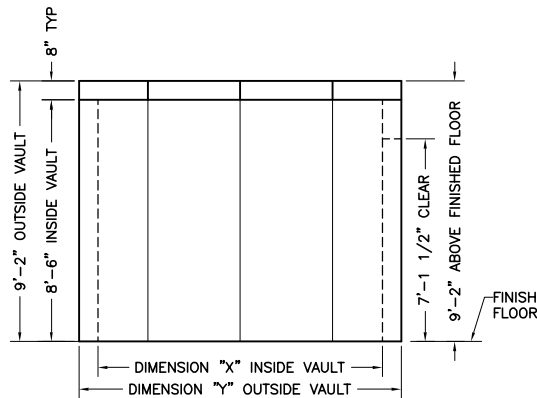
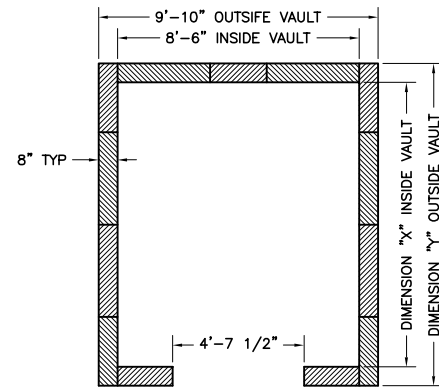
\* MODEL SHOWN

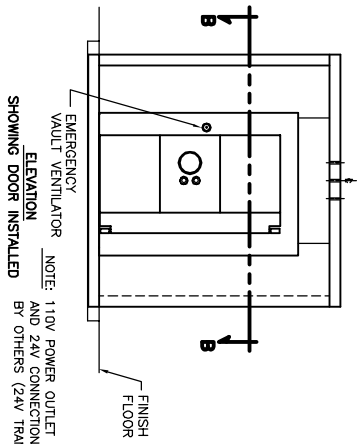
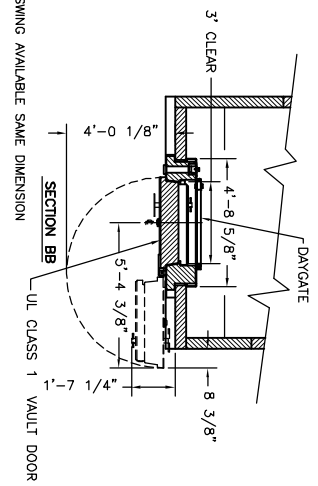
ELECTRICAL CONDUITS (QTY 2 X 3/4" DIA.)

ALARM CONDUITS (QTY 2 X 1/2" DIA.)



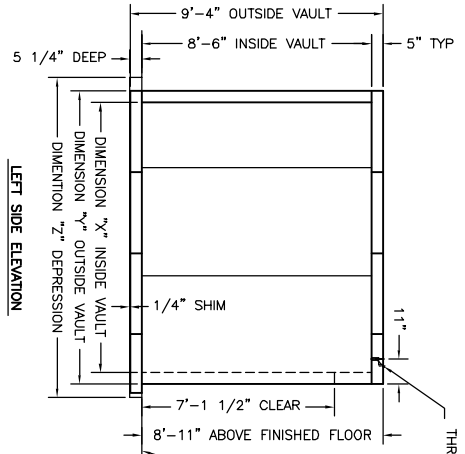
WIRING:  
ALARM AND ELECTRICAL COMPONENTS SUPPLIED BY OTHERS. TELEPHONE AND VENTILATOR ARE ALL TO BE WIRED BY OTHERS AS REQUIRED BY GENERAL CONTRACTOR. SEE TOP BACK OF DOOR FRAME TO ACCESS FACTORY SUPPLIED COMPONENT WIRES.



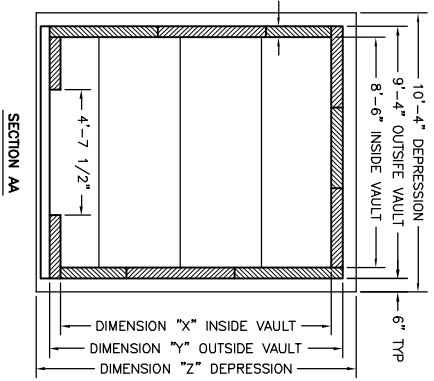


NOTE: 110V POWER OUTLET FOR VAULT VENTILATOR AND 24V CONNECTIONS TO BE INSTALLED BY OTHERS (24V TRANSFO INCLUDED).  
 SHOWING DOOR INSTALLED

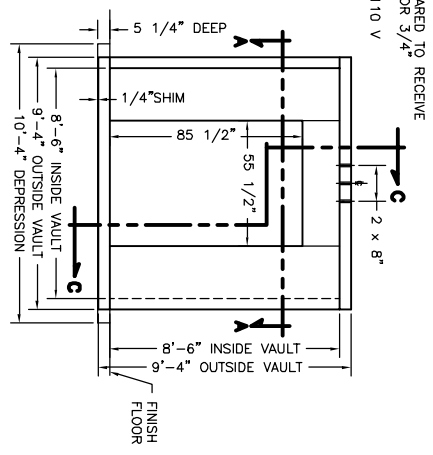
WIRING: ALARM AND ELECTRICAL COMPONENTS SUPPLIED BY OTHERS, TELEPHONE AND VENTILATOR ARE ALL TO BE WIRED BY OTHERS AS REQUIRED BY GENERAL CONTRACTOR. SEE TOP BACK OF DOOR FRAME TO ACCESS FACTORY SUPPLIED COMPONENT WIRES.



LEFT SIDE ELEVATION



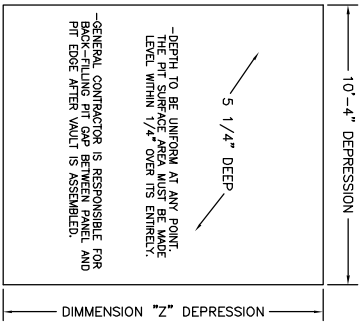
SECTION AA



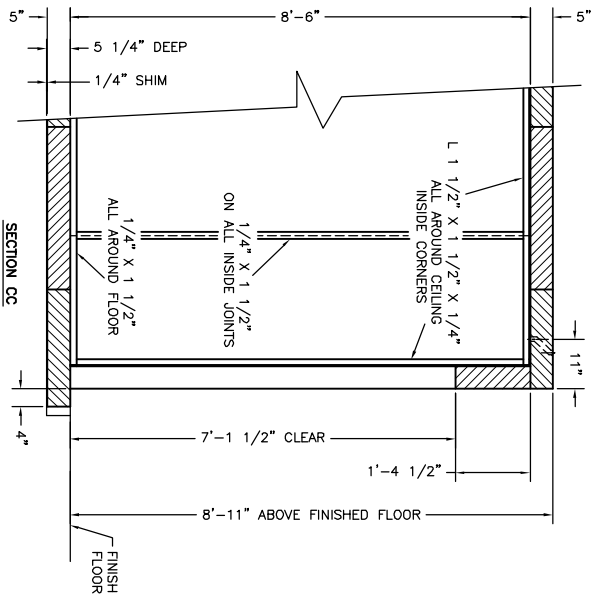
FRONT ELEVATION

QUOTED SIZE	MODEL	INSIDE DIMENSIONS	DIMENSION 1/2"	DIMENSION 3/4"	DIMENSION 7/8"	WEIGHT
	MV1-6-001	8'-6" X 8'-6" X 8'	8'	8'-10"	9'-10"	35010 LBS
	MV1-6-002	8'-6" X 8'-6" X 9'	9'	9'-10"	10'-10"	37470 LBS
	MV1-6-003	8'-6" X 8'-6" X 10'	10'	10'-10"	11'-10"	39830 LBS
	MV1-6-004	8'-6" X 8'-6" X 11'	11'	11'-10"	12'-10"	42390 LBS
	MV1-6-005	8'-6" X 8'-6" X 12'	12'	12'-10"	13'-10"	44850 LBS
	MV1-6-006	8'-6" X 8'-6" X 13'	13'	13'-10"	14'-10"	47310 LBS
	MV1-6-007	8'-6" X 8'-6" X 14'	14'	14'-10"	15'-10"	49770 LBS
	MV1-6-008	8'-6" X 8'-6" X 15'	15'	15'-10"	16'-10"	52230 LBS
	MV1-6-009	8'-6" X 8'-6" X 16'	16'	16'-10"	17'-10"	54690 LBS
	MV1-6-010	8'-6" X 8'-6" X 17'	17'	17'-10"	18'-10"	57150 LBS
	MV1-6-011	8'-6" X 8'-6" X 18'	18'	18'-10"	19'-10"	59610 LBS

\* MODEL SHOWN



SLAB DEPRESSION PLAN VIEW

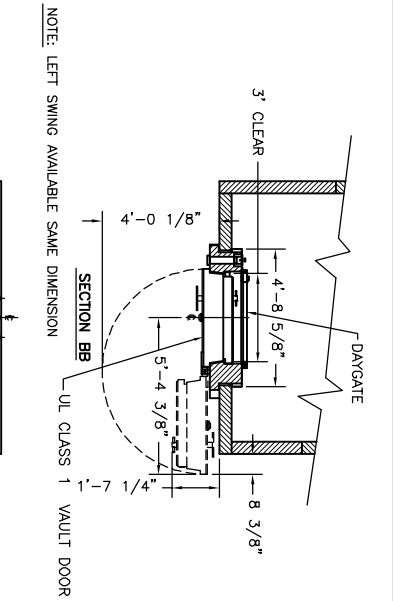


SECTION CC

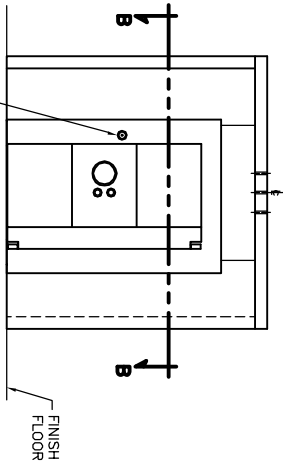
**SECURIFORT INC.**  
 Underwriters Laboratories Inc. •  
 Listed

**MODULAR VAULT CLASS 1 (6 SIDED)**

MODEL NO. **MV1-6-011** WEIGHT **59610 LBS**  
 FINISH CV **27 10 04**



NOTE: LEFT SWING AVAILABLE SAME DIMENSION

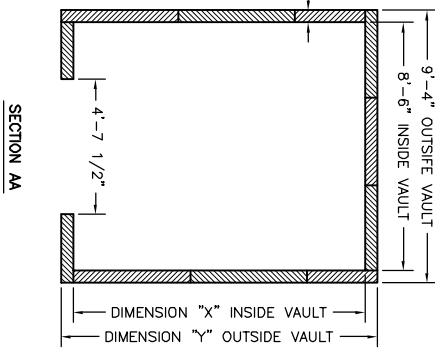


NOTE: 110V POWER OUTLET FOR VAULT VENTILATOR AND 24V CONNECTIONS TO BE INSTALLED BY OTHERS (24V TRANSFO INCLUDED).

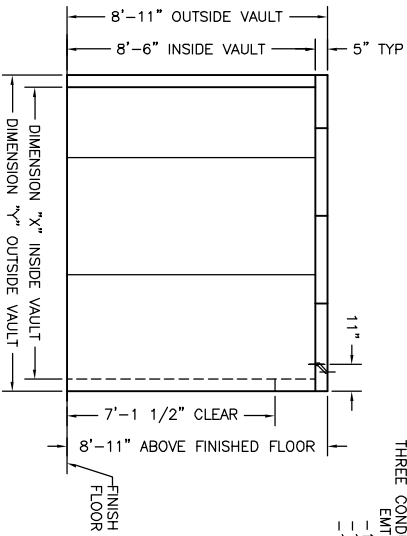
WIRING:  
ALARM AND ELECTRICAL COMPONENTS SUPPLIED BY OTHERS, TELEPHONE AND VENTILATOR ARE ALL TO BE WIRED BY OTHERS AS REQUIRED BY GENERAL CONTRACTOR. SEE TOP BACK OF DOOR FRAME TO ACCESS FACTORY SUPPLIED COMPONENT WIRES.

QUOTED SIZE	MODEL	INSIDE DIMENSIONS	DIMENSION "X"	DIMENSION "Y"	WEIGHT
	MV1-5-001	8'-6" X 8-6" X 8'	8'	8' 10"	29105 LBS
	MV1-5-002	8'-6" X 8-6" X 9'	9'	9' 10"	30920 LBS
	MV1-5-003	8'-6" X 8-6" X 10'	10'	10' 10"	32735 LBS
	MV1-5-004	8'-6" X 8-6" X 11'	11'	11' 10"	34550 LBS
	MV1-5-005	8'-6" X 8-6" X 12'	12'	12' 10"	36365 LBS
	MV1-5-006	8'-6" X 8-6" X 13'	13'	13' 10"	38180 LBS
	MV1-5-007	8'-6" X 8-6" X 14'	14'	14' 10"	39995 LBS
	MV1-5-008	8'-6" X 8-6" X 15'	15'	15' 10"	41810 LBS
	MV1-5-009	8'-6" X 8-6" X 16'	16'	16' 10"	43625 LBS
	MV1-5-010	8'-6" X 8-6" X 17'	17'	17' 10"	45440 LBS
	MV1-5-011	8'-6" X 8-6" X 18'	18'	18' 10"	47255 LBS

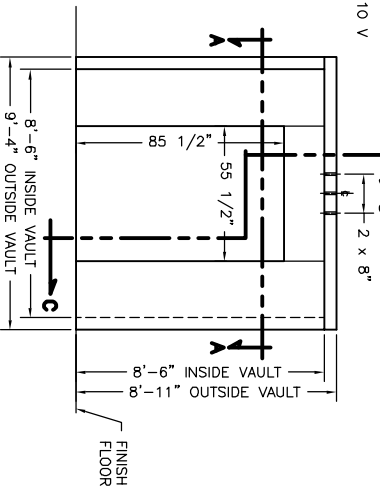
\* MODEL SHOWN



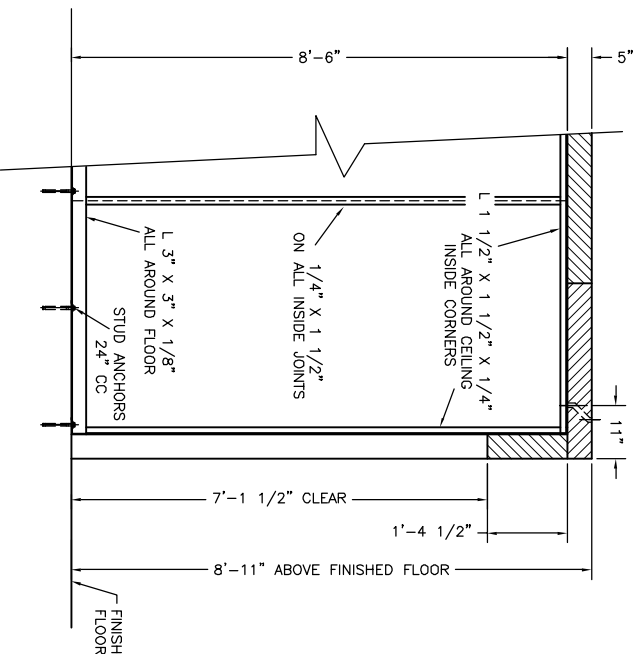
THREE CONDUITS PREPARED TO RECEIVE  
EMT CONNECTOR 3/4"  
-1 ALARM  
-1 POWER 110 V  
-1 EXTRA



LEFT SIDE ELEVATION



FRONT ELEVATION



SECTION CC



**UL** Underwriters Laboratories Inc. • Listed

**MODULAR VAULT CLASS 1 (5 SIDED)**

MODEL NO. **MV1-5-A** DATE **27 10 04**