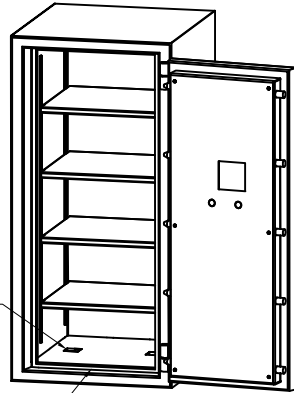


# Double Protection FIRE-BURGLARY

BUILT WITH BANK LEVEL ALLOY

(60 MINUTES FIRE RESISTIVE)



ANCHOR HOLES

FIRE RETARDER

### CONSTRUCTION

BODY AND DOOR 2 1/2" THICK INCLUDING BANK LEVEL ALLOY.

### MECHANISM

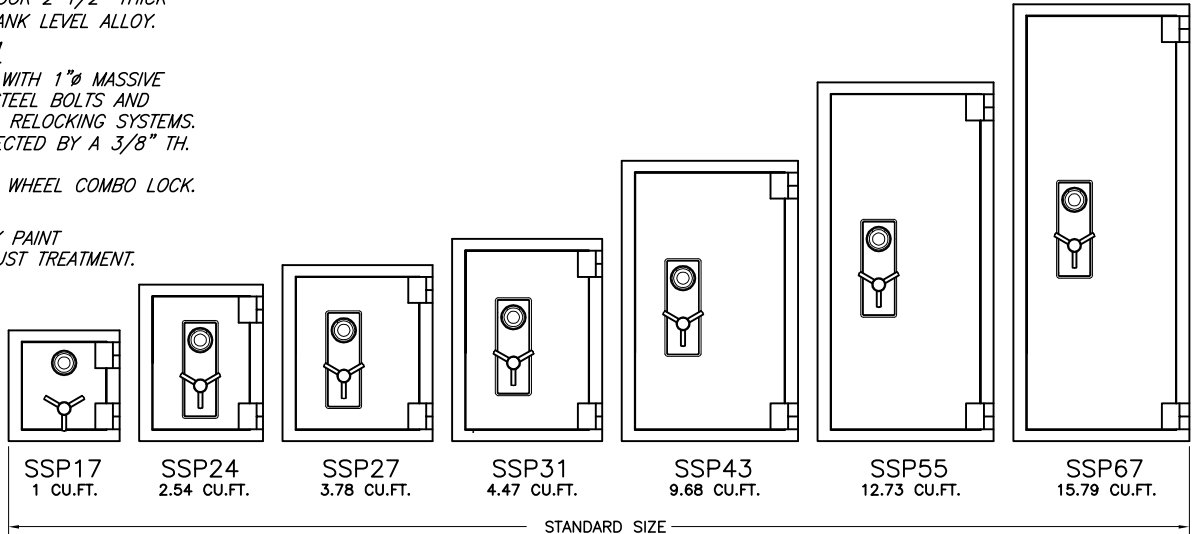
-MECHANISM WITH 1"Ø MASSIVE STAINLESS STEEL BOLTS AND 2 AUTOMATIC RELOCKING SYSTEMS.  
 -LOCK PROTECTED BY A 3/8" TH. HARD PLATE.  
 -S&G GR2 3 WHEEL COMBO LOCK.  
**FINISH**

HIGH QUALITY PAINT WITH ANTI-RUST TREATMENT.

MODELS	DOOR SWING DIMENSIONS	
	"A"	"B"
SSP17	34 3/4"	30 3/4"
SSP24	41 1/4"	34 3/4"
SSP27	45 1/4"	42 3/4"
SSP31	45 1/4"	42 3/4"
SSP43	52 3/4"	50 1/2"
SSP55	52 3/4"	50 1/2"
SSP67	52 3/4"	50 1/2"

### OPTIONS

- INTERIOR COMPARTMENTS.
- ELECTRONIC LOCK.
- RELOCK GLASS.
- 2 ANCHOR HOLES 3/4"Ø, OPTIONAL ON MODELS #SSP-43 to SSP-67 & STANDARD ON MODELS #SSP-17 to SSP-31.



SSP17  
1 CU.FT.

SSP24  
2.54 CU.FT.

SSP27  
3.78 CU.FT.

SSP31  
4.47 CU.FT.

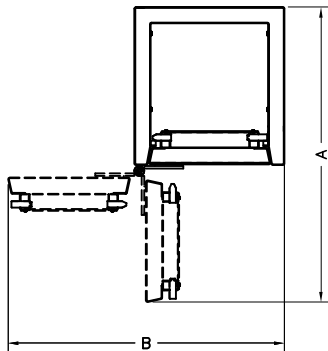
SSP43  
9.68 CU.FT.

SSP55  
12.73 CU.FT.

SSP67  
15.79 CU.FT.

STANDARD SIZE

**HIGH SECURITY PRODUCTS**  
**BANKING AND COMMERCIAL**



MODELS	INSIDE DIMENSIONS			OUTSIDE DIMENSIONS			CLEAR OPEN.		OVERALL DEPTH	WEIGHT	SHELVES QTY
	HEIGHT	WIDTH	DEPTH	HEIGHT	WIDTH	DEPTH	HEIGHT	WIDTH			
SSP17 : CS-M121212-CL2	12"	12"	12"	17"	17"	19 3/4"	12"	10 1/2"	21 1/2"	385 lbs	1
SSP24 : CS-M191417-CL2	19"	14"	16 1/2"	24"	19"	24 1/4"	19"	12 1/2"	26"	640 lbs	1
SSP27 : CS-M221817-CL2	22"	18"	16 1/2"	27"	23"	24 1/4"	22"	16 1/2"	26"	800 lbs	2
SSP31 : CS-M261817-CL2	26"	18"	16 1/2"	31"	23"	24 1/4"	26"	16 1/2"	26"	890 lbs	2
SSP43 : CS-M382220-CL2	38"	22"	20"	43"	27"	27 3/4"	38"	20 1/2"	29 1/2"	1420 lbs	3
SSP55 : CS-M502220-CL2	50"	22"	20"	55"	27"	27 3/4"	50"	20 1/2"	29 1/2"	1740 lbs	3
SSP67 : CS-M622220-CL2	62"	22"	20"	67"	27"	27 3/4"	62"	20 1/2"	29 1/2"	2060 lbs	4



**SUPER-PRO**  
**CLASS 2 SAFE**

DATE	DRAWN BY	DRAWING NO
23 01 08	CV	CS-CL2