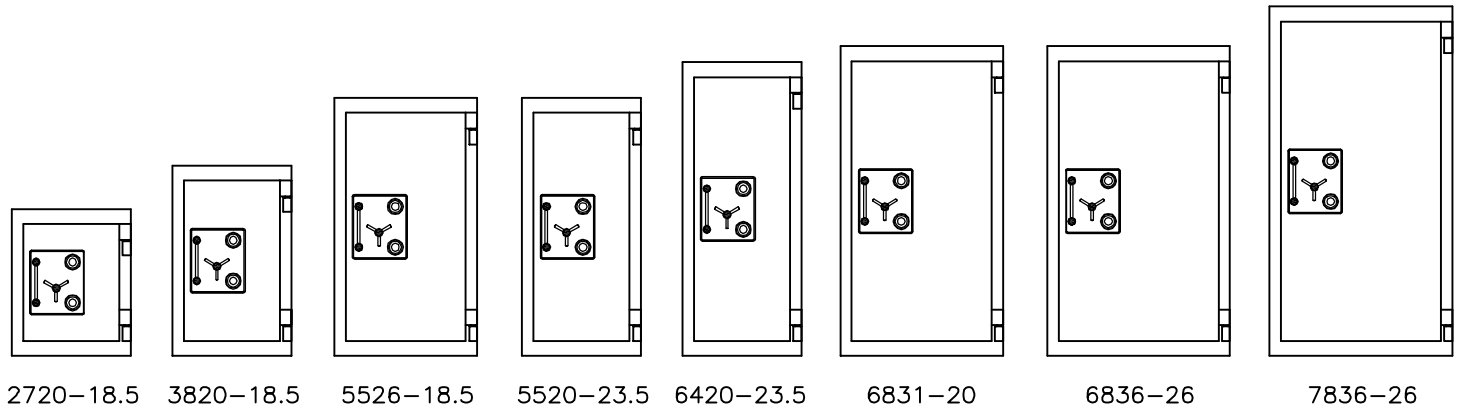
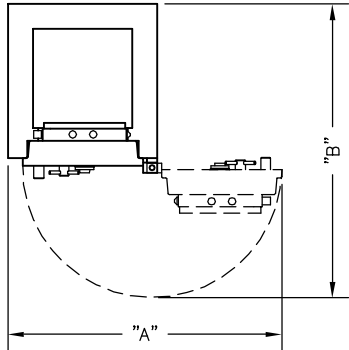


MODELS	DOOR SWING	
	DIMENSIONS	
	"A"	"B"
2720-18.5	55 1/8"	59 1/8"
3820-18.5	55 1/8"	59 1/8"
5526-18.5	67 1/8"	65 1/8"
5520-23.5	55 1/8"	64 1/8"
6420-23.5	55 1/8"	64 1/8"
6831-20	77 1/8"	71 5/8"
6836-26	87 1/8"	81 3/4"
7836-26	87 1/8"	82 5/8"

TORCH & TOOL RESISTANT SAFE TRTL-30



MODELS	INSIDE DIMENSIONS			OUTSIDE DIMENSIONS			CLEAR OPEN		OVERALL DEPTH	WEIGHT	SHELVES QTY
	HEIGHT	WIDTH	DEPTH	HEIGHT	WIDTH	DEPTH	HEIGHT	WIDTH			
2720-18.5	27"	20"	18 1/2"	37"	30"	31"	25"	18"	35 1/8"	2575 lbs	2
3820-18.5	38"	20"	18 1/2"	48"	30"	31"	36"	18"	35 1/8"	3100 lbs	3
5526-18.5	55"	26"	18 1/2"	65"	36"	31"	53"	24"	35 1/8"	4685 lbs	4
5520-23.5	55"	20"	23 1/2"	65"	30"	36"	53"	18"	40 1/8"	4550 lbs	4
6420-23.5	64"	20"	23 1/2"	74"	30"	36"	62"	18"	40 1/8"	5190 lbs	5
6831-20	68"	31"	20"	78"	41"	32 1/2"	66"	29"	36 5/8"	6185 lbs	5
6836-26	68"	36"	26"	78"	46"	38 1/2"	66"	34"	42 5/8"	7515 lbs	5
7836-26	78"	36"	26"	88"	46"	38 1/2"	76"	34"	42 5/8"	8600 lbs	6



TORCH & TOOL
RESISTANT SAFE
TRTL-30

DATE			DRAWN BY	DRAWING NO
08	05	07	CV	PC 562 R2