

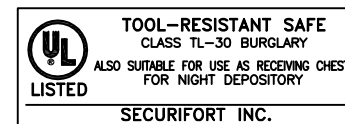
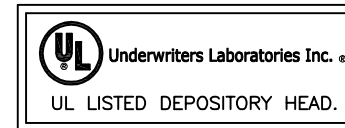
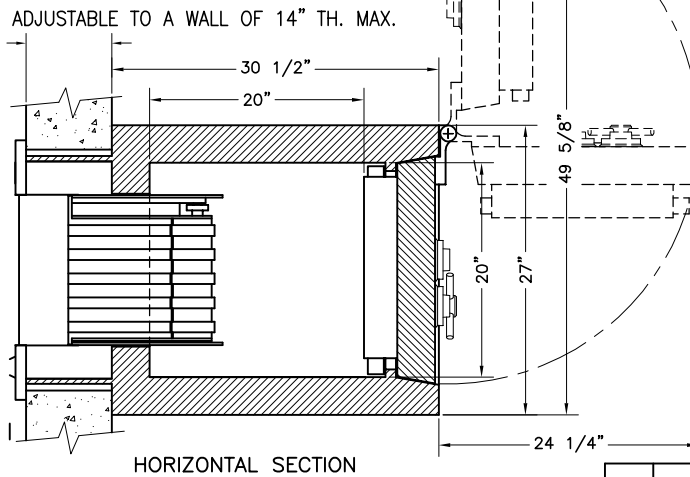
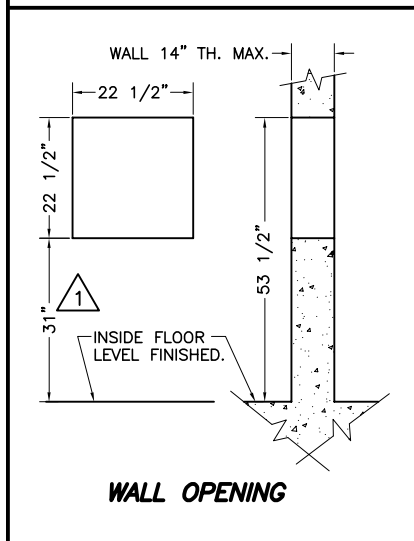
**REGULAR CAPACITY NIGHT DEPOSITORY**  
(Constructed to TL-30 specifications).

**CHARACTERISTICS**

- Unit for wallet deposits.
- The large capacity bag deposit compartment is exposed only when the required key has operated the lock in the depository frame.
- Anti-fishing device.
- Exterior fascia with stainless steel finish.
- Outside lighting system.
- Door of receiving chest is equipped with 2-4 wheel combination locks GR2M w/ spyproof dial.
- Contacts for installation of alarm hook-up.
- Additional alarm protection on fascia.
- Heat sensor 135° (see drawing).
- Tamper switch (see drawing)
- Alarm door contact (see drawing)
- 50 head keys standard.
- WEIGHT= 2350 Pounds.

**OPTIONAL EQUIPMENT**

- Pre-wiring two circuits for alarm system to protect body and door of the receiving chest.
- 2 movement timelock.
- Head trap #SDD-1.
- Clearing safe (see DWG #PC-378).
- Wallets & envelopes functions.
- Customer engraving on outside fascia.
- 6 sides protection TL30x6.
- Extra head keys.



**Regular Night Depository**  
**TL-30**

NO	DATE	REVISION	BY
1	16 10 08	31" WAS 30 1/2" ON WALL OPENING.	RM

DRAWING NO	PC 376	DRAWN BY	RM	DATE	24 03 08
ITEM NO	CN-0482020-L30				