
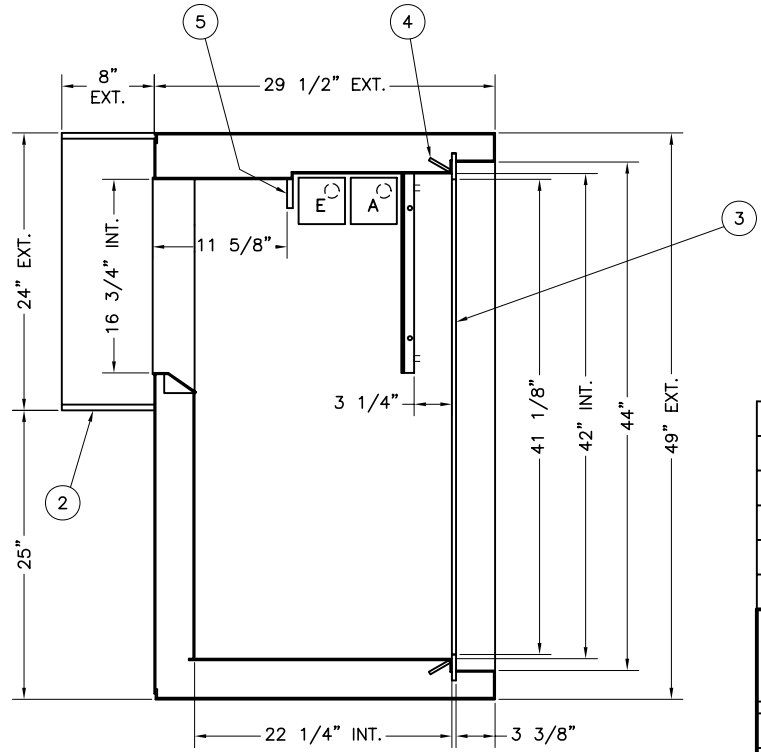
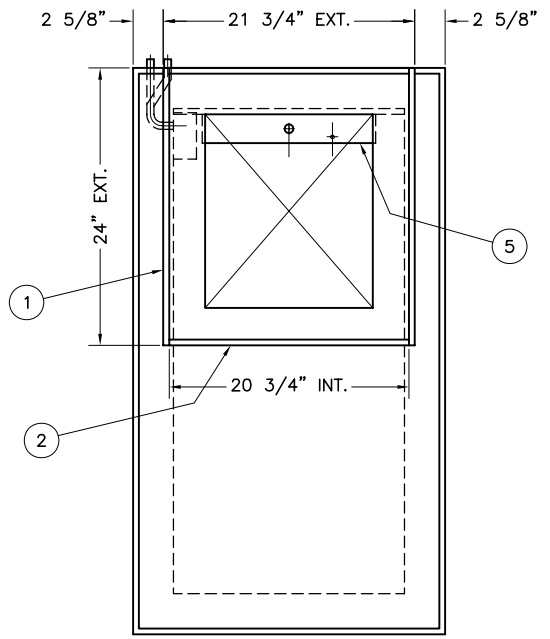
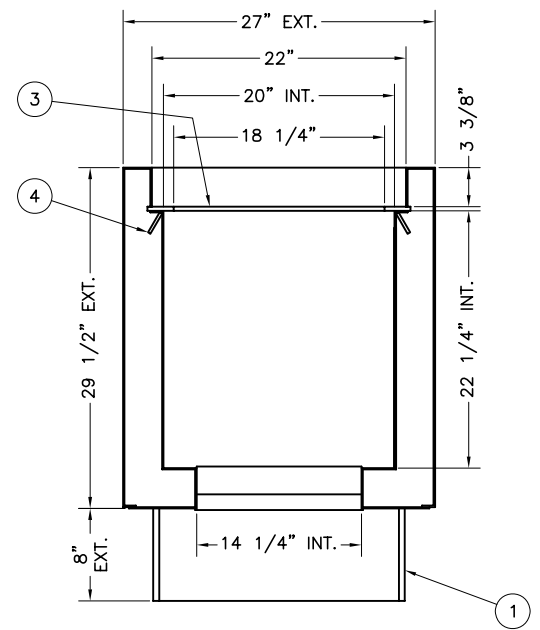



NO	DATE	REVISION	PAR
	X	X	X



ITEM	QTY	DESCRIPTION
5	1	BARRE DE FIXATION TETE UA-1711
4	4	HRS TREMPE 1/4" X 2" X 3"
3	1	CADRE HRS 3/8" COMBO
2	2	HRS 1/2" X 8" X 20 3/4"
1	2	HRS 1/2" X 8" X 24"

		TITLE	
		COU DE DEPOT SPECIAL	
		APPLICATION	
		FACADE SPECIALE	
DATE	DRAWN BY	APP ED BY	SCALE
21 11 05	MC		1/8 = 1
PART NO		DRAWING NO	
x		PC662FORMCOC1	