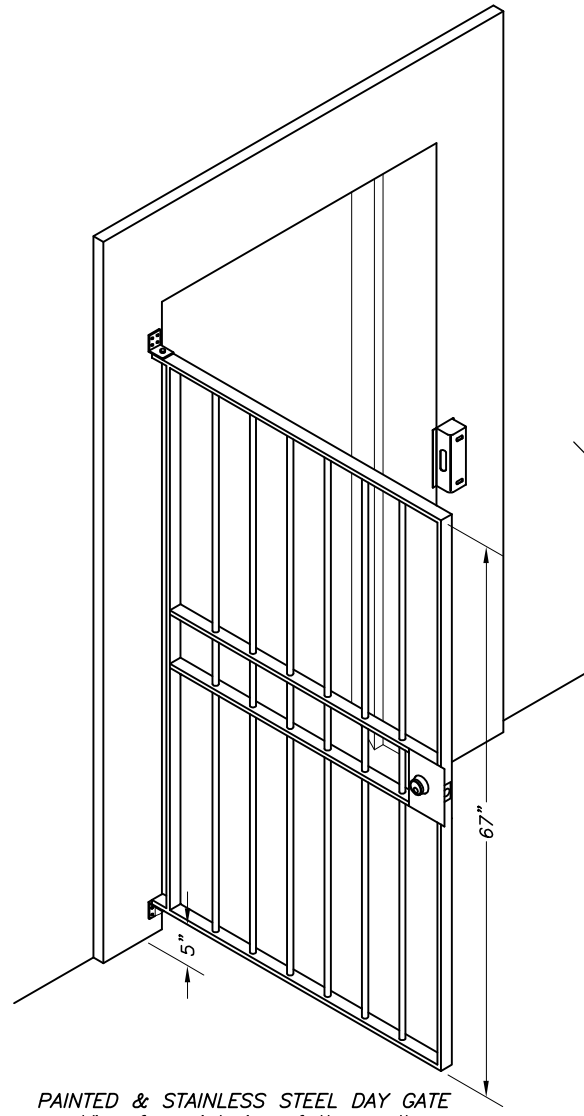
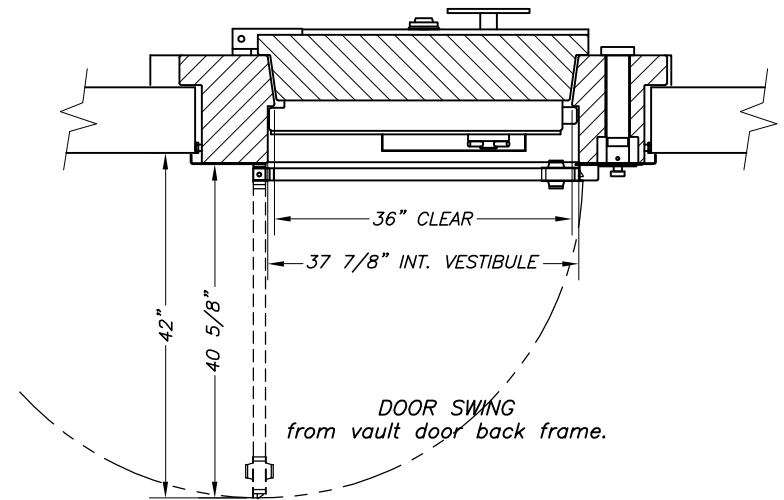


ACRYLIC DAY GATE
View from interior of the vault



PAINTED & STAINLESS STEEL DAY GATE
View from interior of the vault



CHARACTERISTICS

- One SCHLAGE keylock model #B250PD6 w/ key control on outside only and thumbturn inside.
- Hinges fitted with self lubricant bronze bushing.
- Stainless steel center escutcheon.
- Choice of 2 acrylic tints, smoke brown & opaque black.
- Aluminium frame construction.
- Approx. Weight= 55 lbs.

CHARACTERISTICS

- One SCHLAGE keylock model #B252PD6 w/ key control on both sides.
- Hinges fitted with self lubricant bronze bushing.
- Approx. Weight= 75 lbs. (Painted model).
85 lbs. (Stainless steel model).



SECURIFORT
INC

Vault Door DAY GATE

36 x 78 Clear Open..

DATE			DRAWN BY	DRAWING NO
17	12	04	RM	PB 535 R1

ACRYLIC MODEL
PAINTED MODEL
S/S MODEL