



**SECURIFORT**  
USA



- ◆ **Pry-Resistant Formed Body**
- ◆ **S&G Key Lock**

SECURITY



LISTED

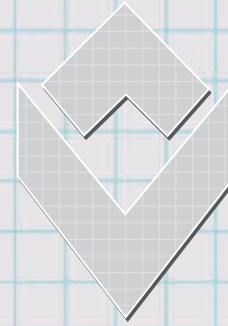
SECURIFORT SERVICE  
Tel: (819) 359-2226  
1-888-310-2226  
Fax: (819) 359-2218  
E-MAIL: info@securifort.com



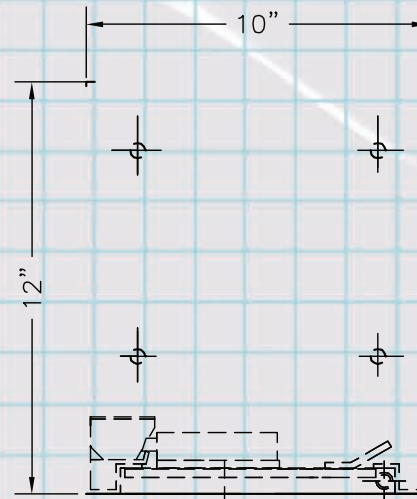
**Deposit Safe**  
**PC 413 K**

## SPECIFICATIONS:

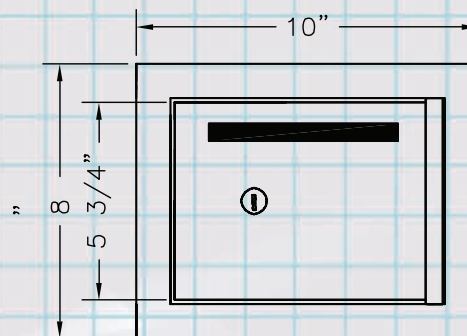
- ◆ BODY BUILT IN 1/8" THICK SOLID STEEL.
- ◆ DOOR MADE OF 1/4" THICK SOLID STEEL.
- ◆ THE MECHANISM IS PROTECTED BY A HARD PLATE 1/4" THICK.
- ◆ DEPOSIT OPENING OF 1/2" x 5 1/2" WITH ANTI-FISH DOUBLE PROTECTIVE STEEL BAFFLE.
- ◆ PROTECTIVE STEEL PLATE OVER LATCH.
- ◆ 4 ANCHORING HOLES ON TOP AND BOTTOM PLATE, WITH FIXING BRACKETS.
- ◆ DOOR PROTECTED BY ONE KEY LOCK MODEL #CS-401 NO DELAI.
- ◆ HIGH QUALITY PAINT WITH ANTI-RUST TREATMENT.
- ◆ WEIGHT: 28 LBS (12,7 KG)



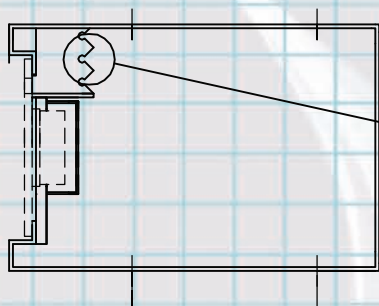
**SECURIFORT**  
USA



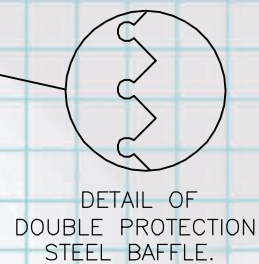
TOP VIEW



ELEVATION

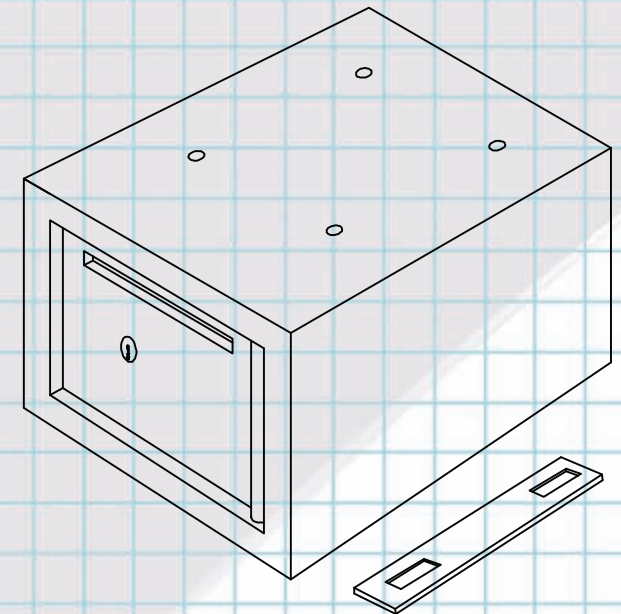


VERTICAL SECTION



DETAIL OF  
DOUBLE PROTECTION  
STEEL BAFFLE.

*DEPOSIT SAFE*



**PC 413 K**

[www.securifort.com](http://www.securifort.com)