



**SECURIFORT**  
USA



- ◆ **UL Listed group II Lock**
- ◆ **Pry-Resistant Formed Body**

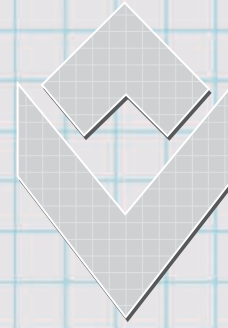


**Deposit Safe  
With Combination Lock**

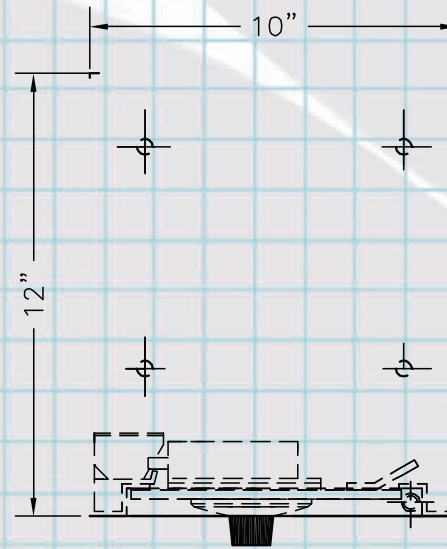
**PC 413 C**

## SPECIFICATIONS:

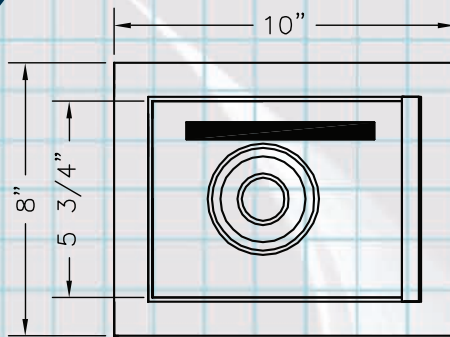
- ◆ BODY BUILT IN 1/8" THICK SOLID STEEL.
- ◆ DOOR MADE OF 1/4" THICK SOLID STEEL.
- ◆ DEPOSIT OPENING OF 1/2" x 5 1/2" WITH ANTI-FISH DOUBLE PROTECTIVE STEEL BAFFLE.
- ◆ PROTECTIVE STEEL PLATE OVER LATCH.
- ◆ 4 ANCHORING HOLES ON TOP AND BOTTOM PLATE, WITH FIXING BRACKETS.
- ◆ DOOR PROTECTED BY ONE 3 WHEEL COMBINATION LOCK WITH FRONT READING DIAL.
- ◆ HIGH QUALITY PAINT WITH ANTI-RUST TREATMENT.
- ◆ WEIGHT: 28 LBS (12,7 KG)



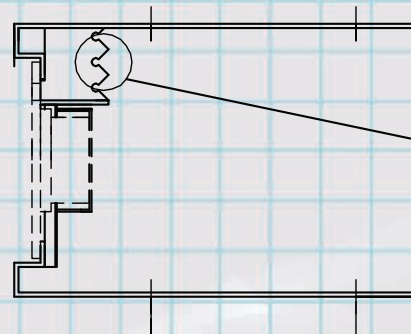
**SECURIFORT**  
USA



TOP VIEW



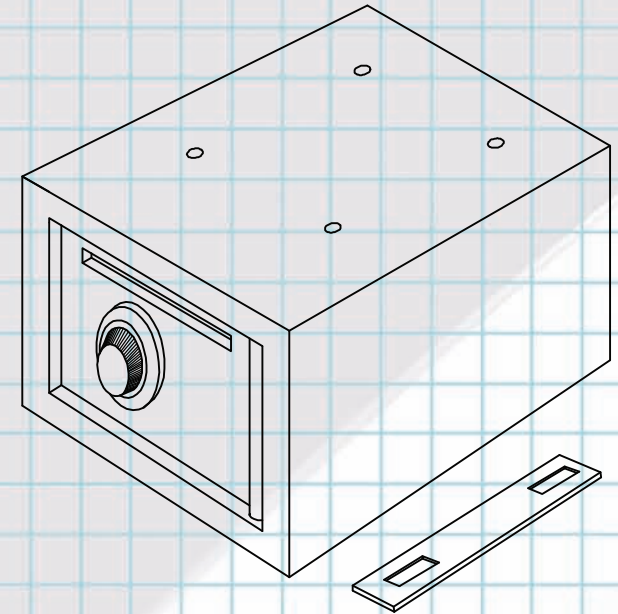
ELEVATION



VERTICAL SECTION

DETAIL OF  
DOUBLE PROTECTION  
STEEL BAFFLE.

*DEPOSIT SAFE*



**PC 413 C**

[www.securifort.com](http://www.securifort.com)