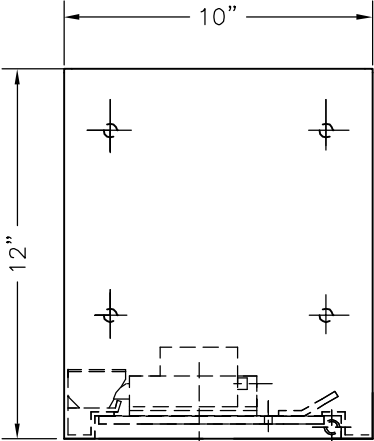
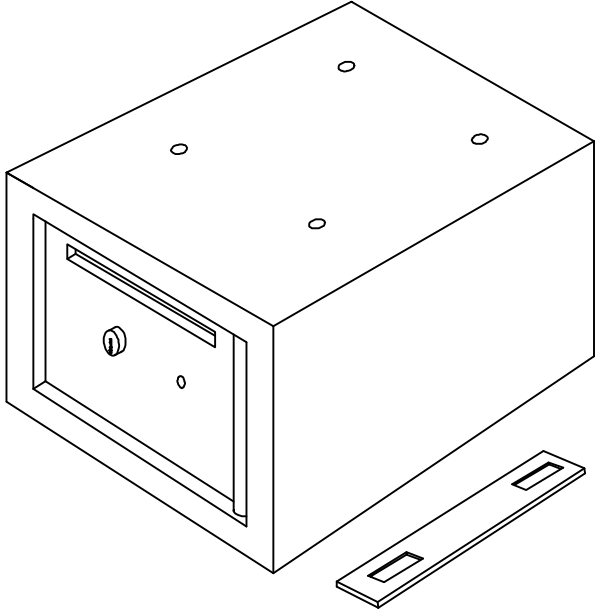


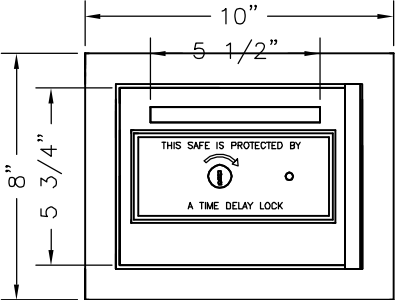
BURGLARY SAFE WITH TIME DELAY LOCK

SPECIFICATIONS:

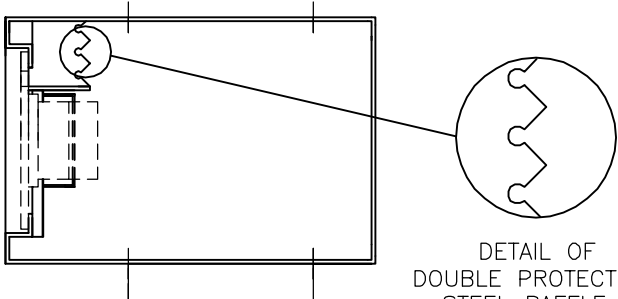
- BODY WITH SOLID STEEL 1/8" THICK.
- DOOR WITH SOLID STEEL 1/4" THICK.
- DEPOSIT OPENING OF 1/2" X 5 1/2" WITH ANTI-FISH DOUBLE PROTECTIVE STEEL BAFFLE.
- PROTECTIVE STEEL PLATE OVER LATCH.
- 4 ANCHORING HOLES ON TOP AND BOTTOM PLATE WITH FIXING BRACKETS & BOLTS.
- TIME DELAY LOCK WITH MEDECO CYLINDER.
- FLASH PACK SYSTEM TO ADVISE WHEN DOOR IS READY TO OPEN.
- HIGH QUALITY PAINT WITH ANTI-RUST TREATMENT.
- WEIGHT: 28 LBS (12,7 kg)



TOP VIEW



ELEVATION



VERTICAL SECTION

DETAIL OF DOUBLE PROTECTION STEEL BAFFLE.



SECURIFORT
INC

DEPOSIT SAFE

DATE			DRAWN BY	DRAWING NO
03	09	98	AL	PC 413